

WALLPOD:EV

FREE-TO-USE

Type 2, Mode 3 Charging Socket
3.6kW Or 7.2kW

ROLEC

EV

MANUFACTURED IN THE UK



Unit shown: WALLPOD:EV
Socket (Type 2) Charging Unit

The WALLPOD:EV is a low-cost, entry level charging unit, designed to offer full Mode 3 fast charging to every Electric Vehicle (EV/PHEV) on the market today.

This charging unit has been specifically designed for domestic and commercial locations including offices, factories, restaurants, hotels, sports venues, etc.

PRODUCT FEATURES

- IEC 61851-1 Mode 3 fast charging
- IEC 62196 (Type 2) charging socket
- Charging speeds - 3.6kW (16A) & 7.2kW (32A)
- Built-in overload and fault current protection (RCBO)
- Built-in LED charging status indicator
- OLEV Grant Fundable under the Electric Vehicle Homecharge Scheme
- OLEV Grant Fundable under the Workplace Charging Scheme
- Certificated by the BSI as safe to use in the domestic environment
- Easy to install and maintain
- IP65 Weatherproof & UV stabilised
- Corrosion resistant, fire retardant & impact resistant design
- CE certified



Grant
Fundable



Safety in the
Home Certified



Colour Options
Available



IP65
Weather Proof



Flame
Retardant

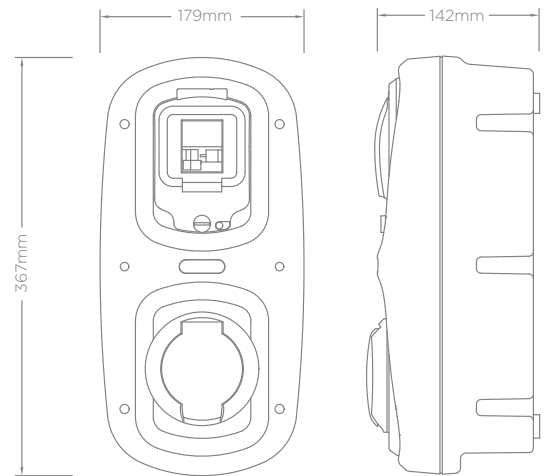


UV
Stabilised

SPECIFICATIONS

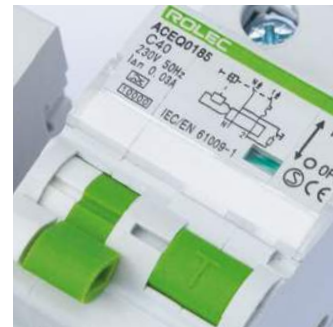
PHYSICAL

Dimensions	179mm x 367mm x 142mm (W x H x D)
Standard Base Colour	Warm White (Other colours available upon request)
Standard Pod Colour	Green (Other colours available upon request)
Unit Material	Polycarbonate (303 EP-22)
Operating Temperature	-30°C to +50°C
Certifications & Compliances	BSI Certified - BS EN 60335-1 Wiring Regulations - BS 7671 (18th Edition) IET EV Regulations, Glow Wire Testing - IEC 60695-2-13 EMC Compliance - EN 61000-6-3:2007, EN 61000-6-2:2005 Safety Compliance - EN 60950-1:2006, EN 60950-22:2006, Low Voltage Directive (LVD) 2014/35/EU Environmental Protection - IP65 (Category 1) Weatherproof BS EN 60529, UL94 Flame Rating at V2 for 1.5mm and 3.0mm



ELECTRICAL

Product Code	EVWP2010	EVWP2016	EVWP2020	EVWP2026
Charging Socket	IEC 62196 (Type 2)			
Rated Output	3.6kW		7.2kW	
Rated Current	16A		32A	
Charge Protocol	Mode 3			
EV Charging Compliance	EN 61851-1:2001, EN 61851-21:2002, EN 61851-22:2002			
Input Voltage	230V AC/50Hz (Single Phase)			
Overload & Fault Current Protection	Built-in 20A, 30mA Type A RCBO & 6mA DC Sensitive Device		Built-in 40A, 30mA Type A RCBO & 6mA DC Sensitive Device	
Incoming Cable Terminals	16mm earth			
Security Socket Hatchlock	✗	✓	✗	✓



OPTIONS & ACCESSORIES

- Key switch control charging
- Lockable door to switchgear
- Built-in class 1 MID compliant kWh meter
- Built-in time clock providing charge time management
- Corporate branding (colours, logo badge, etc.)
- Amp-Selector key switch (switches between 16A or 32A)
- Charge-By-Solar switch (switches between 6A, 13A, 16A or 32A)
- Charge point signage
- EV charging cables (Type 1 to Type 2 or Type 2 to Type 2)



Images are for marketing purposes only and are not contractual © 2018



Head office contact:
t: +44 (0) 1205 724754
f: +44 (0) 1205 724876
rolec@rolecserv.co.uk

Rolec Services Ltd
Ralphs Lane, Frampton West
Boston, Lincolnshire
UK. PE20 1QU

EVWPSD-02

@RolecEV

www.rolecserv.com